

60cm Multi-Function Oven

IO65

ACCESSORIES

- Enameled baking tray
- Chrome baking tray insert
- Chrome shelf with safety lock

FEATURES

- 65 litre capacity
- Stainless steel & black optical glass finish
- Touch control programmable clock/timer
- Cavity cooling system
- Matt black, brushed steel handle

COOKING MODES

- 5 cooking functions:
- ▷ Fan-Forced
 - ▷ Grill
 - ▷ Fan & Grill
 - ▷ Defrost
 - ▷ Light

CLEANING

- Easy to remove inner door glass
- Easy to remove door with quick release hinges
- Oven interior features easy to clean enameling
- Quick release, heavy duty chrome side racks

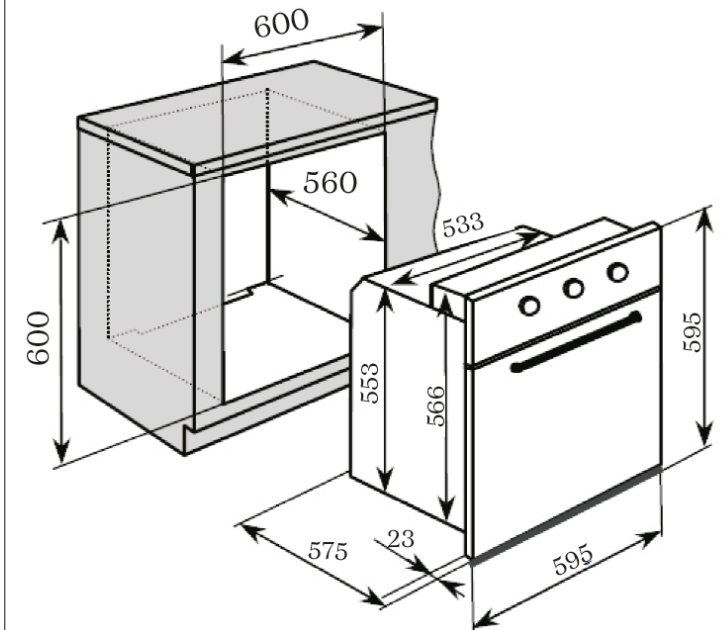
SAFETY

- Double glazed cool touch door

REQUIREMENTS

- Current requirements:
 - ▷ 21A
- Supplied with 15 amp plug

INSTALLATION



PRODUCT DIMENSIONS

Packaged (w, d, h mm):

- ▷ 620 x 620 x 580mm

Physical (w, d, h mm):

- ▷ 595 x 575 x 595mm

Weight:

- ▷ 42kg

WARRANTY

24 Months

