

60cm Stainless Steel Gas Cooktop

ICGW60S

ACCESSORIES

Regulator

LPG Conversion Kit

LPG Test Point

FEATURES

4 burners

Italian made Defendi burners

304 grade stainless steel

Electronic under-knob ignition

Cast iron trivets

Metal control knobs

BURNER OUTPUTS (MJ)

Triple ring wok burner:

▷ 1 x 6.3 - 14.4 MJ

Semi rapid burners:

▷ 2 x 3.24 - 6.5 MJ

Auxilliary burner:

▷ 1 x 1.8 - 3.8 MJ

CLEANING

Single press steel hob

Heavy duty 304 grade stainless steel

Easy to clean black glass insert under knobs

Removable knobs

SAFETY

Flame Failure Safety Device

Side located control knobs

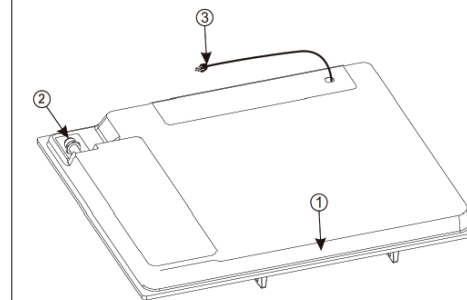
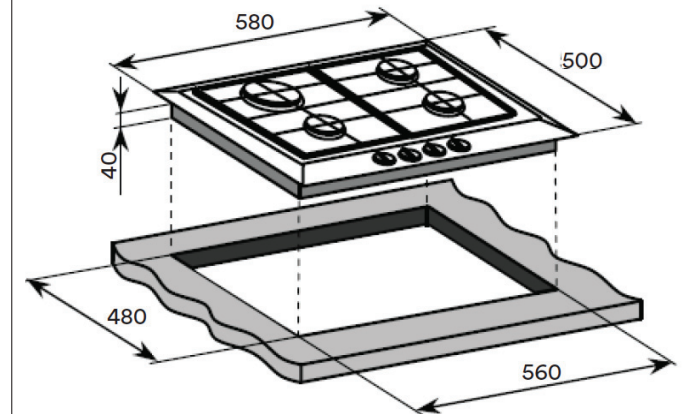
REQUIREMENTS

Rated Voltage: 220-240V,
50/60 Hz

Current requirements: 3A

Supplied with 10 amp plug

INSTALLATION



1 - Front of Gas Cooktop

2- Gas connection point

3- Electrical connection

PRODUCT DIMENSIONS

Packaged (w, d, h mm):

▷ 645 x 543 x 136

Physical (w, d, h mm):

▷ 580 x 500 x 40

Weight:

▷ 12kg

WARRANTY

24 Months

